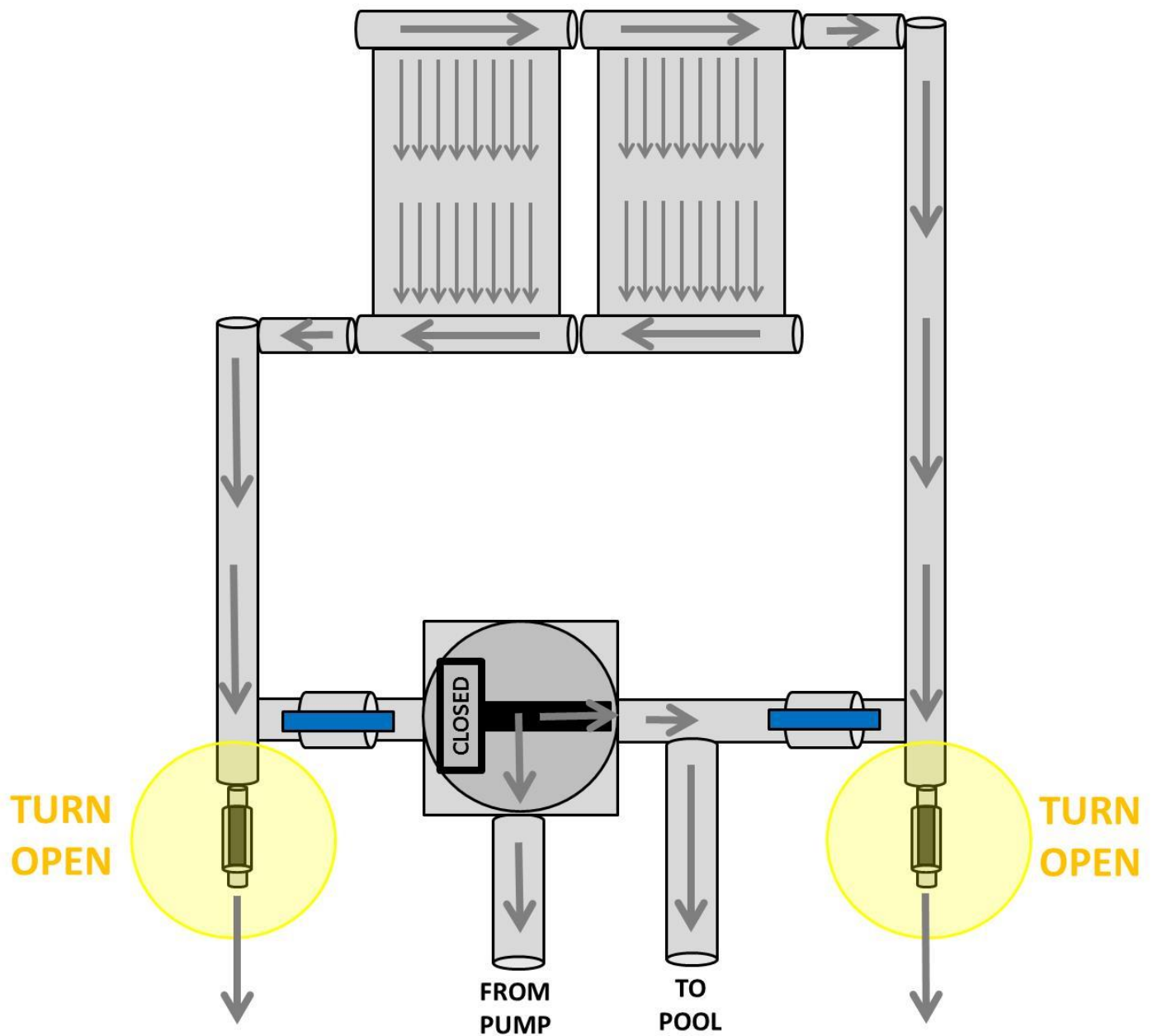


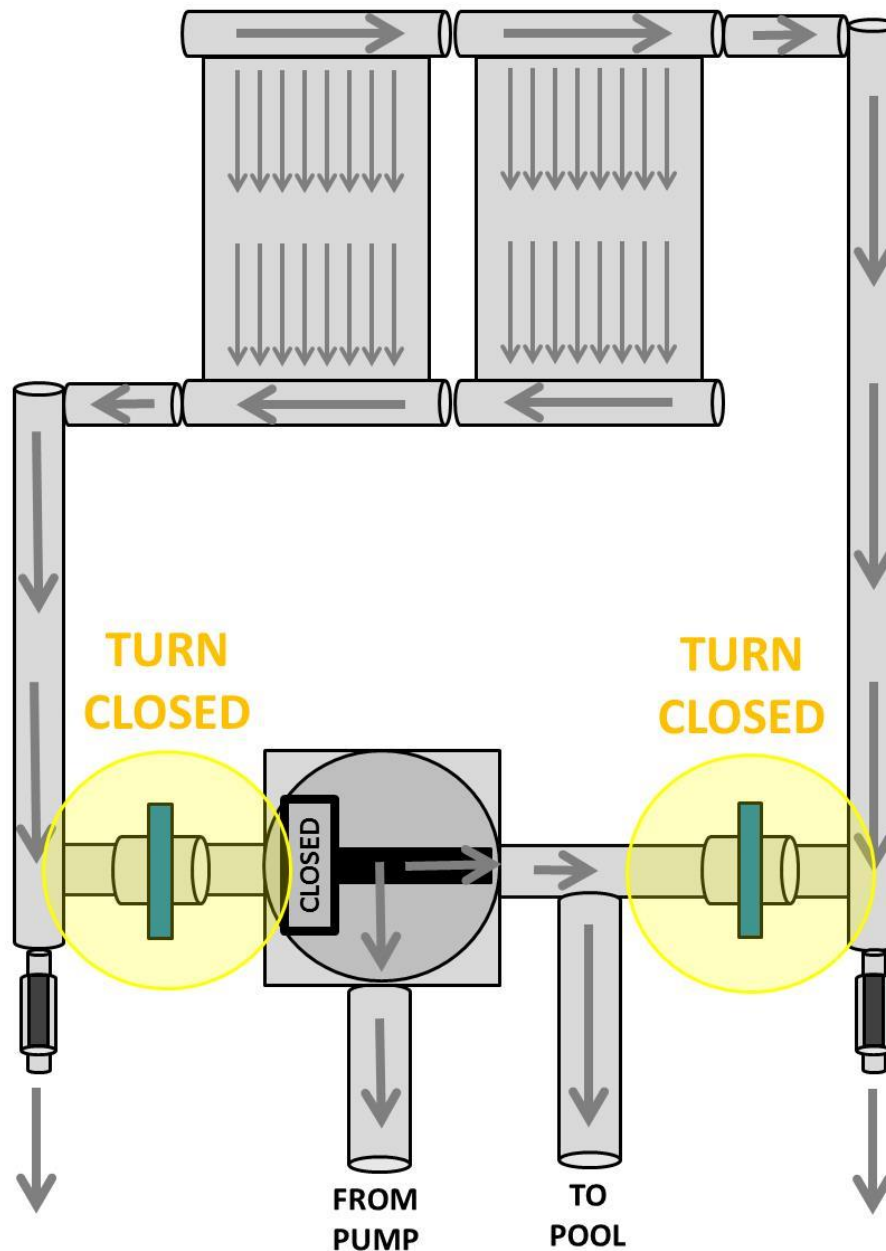
# WINTER DRAIN PROCEDURE



To drain the system for the winter, do the following steps:

1. Turn the pump off using either the breaker or the start/stop button on pump (if using variable speed pump).
2. Turn the drain valves parallel to the pipe (as shown).
3. Turn solar control OFF.
4. Wait 12 hours before proceeding to step 5

## WINTER DRAIN PROCEDURE (CONTINUED)



To drain the system for the winter, do the following steps (CONTINUED):

5. Turn the isolation valves to the roof pump perpendicular to the pipes.
6. Verify all valves facing same direction!!!!
7. Turn the pump breaker ON or push the start/stop button on pump (if using variable speed pump).
8. NOTE: Run- time settings may need to be reset and speed (if using variable speed pump).